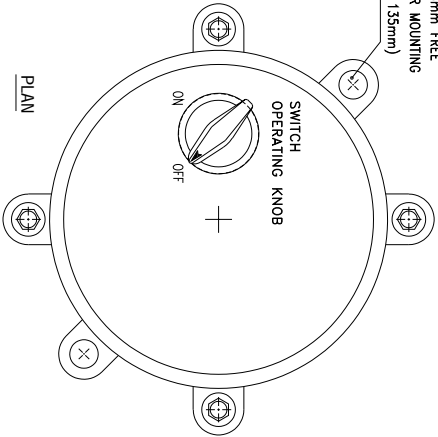


2 Nos. ϕ 8mm FREE HOLES FOR MOUNTING (P.C.D. - 135mm)



Light Fitting OPTIONS :

- 1) MATERIAL CONSTRUCTION : STAINLESS STEEL
- 2) VOLTAGE : 220V DC/110V AC/110V DC/24V AC
- 3) GLASS TYPE : FLAT
- 4) LED MAKE : CITIZEN/OSRAM/BRIDGELUX/EQUIVALENT
- 5) DRIVER MAKE : OSRAM/PHILIPS/FULHAM/EQUIVALENT
- 6) CABLE GLAND & PLUG : BRASS/S.S./ALUMINIUM

Light Fitting Standard Specification :

- a) WATTAGE : 15 WATTS
- b) VOLTAGE : 140V-270V AC
- c) POWER FACTOR : ≥ 0.95
- d) INPUT FREQUENCY : 50 Hz
- e) EFFICACY : ≥ 100 LUMEN PER WATT
- f) COLOUR (CCT) : 3000K/5700K/6500K/OR AS SPECIFIED
- g) CRI : ≥ 80 RA
- h) TOTAL HARMONIC DISTORTION : $\leq 10\%$ THD
- i) SURGE PROTECTION : 10 KV SPD
- j) SURFACE TEMPERATURE : MAX. 70°

NOTE :

COMPONENT LAYOUT IS TENTATIVE RELOCATION OF PARTS & COMPONENTS IS POSSIBLE AT THE TIME OF ACTUAL MANUFACTURING.

OVERALL DIMENSIONS ARE ± 10 mm

REV.	DATE	DESCRIPTION	DRN.	CHD.	APPD.	SCALE	CAT. No.	MODEL No.	DRN.	CHD.	APPD.	SHEET	N. T. S.	REV.-0
Δ							RVL/2C/181	RVL/181/15-B				1	OF	1
Δ														
Δ														

Reference IS/IEC Standard as follows :

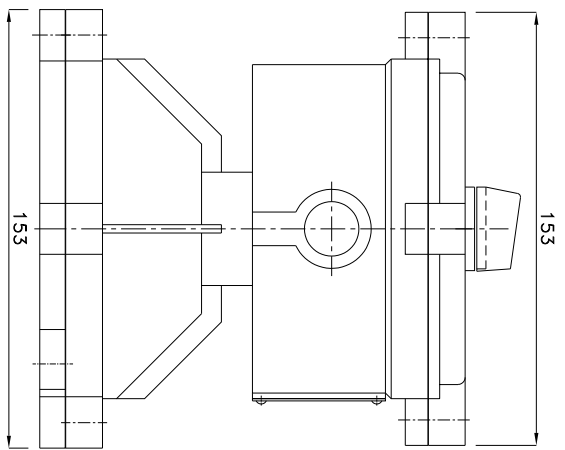
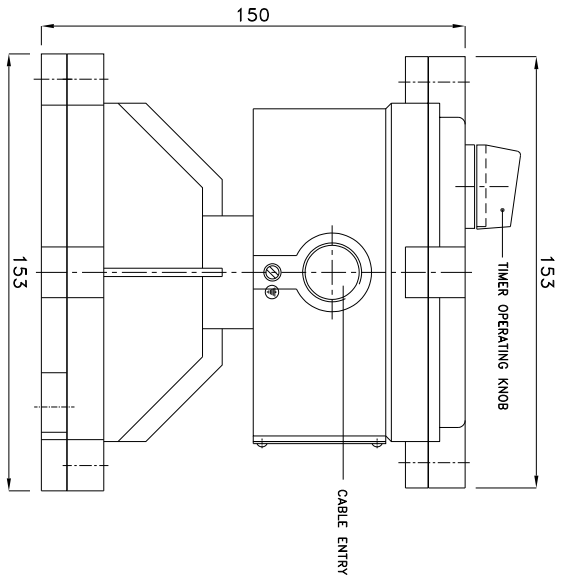
- 1 - FLAMEPROOF (Ex d) PROTECTION - IIA/IIb & IIC, IS/IEC 60079-1 (2014)
- TEMPERATURE CLASS - T6
- 2 - INGRESS (IP) PROTECTION - IP-66, IS/IEC 60529 (2001). (Reaffirmed 2014)

Standard Specification :

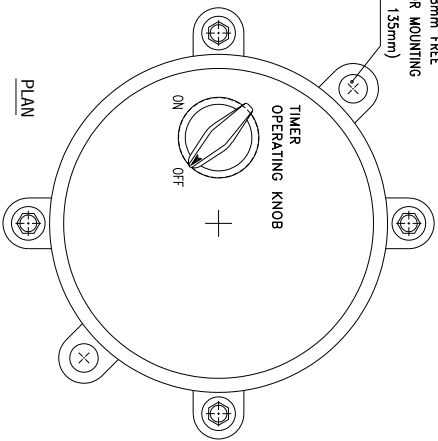
- 1 - MATERIAL - CAST ALUMINIUM ALLOY
- 2 - FINISH - INSIDE & OUTSIDE LIGHT GREY EPOXY POWDER COATING SHADE No. 631 AS PER IS-5
- 3 - EARTHING - 1 No. INSIDE & 2 Nos. OUTSIDE M6 SIZE S.S./BRASS SCREWS WITH 2 Nos. PLAIN WASHER
- 4 - HARDWARE - STAINLESS STEEL
- 5 - GASKET - 'O' RING ENDLESS NEOPRENE RUBBER GASKET
- 6 - MOUNTING ARRGT. - AS SHOWN IN DRG.

Material / Components Specification :

- 1 - S.S. NAME CUM WARNING PLATE (WITH DESCRIPTION TITLE, CIMFR, PESO, SR. NO., GAS GROUP, RATING, BIS MARKING, WARNING STATUS, etc...)
- 2 - GLASS - HEAT RESISTANCE CLEAR TOUGHENED GLASS 'TYPE-A' OF 'SUDHIR' BRAND
- 3 - CABLE ENTRIES - 2 Nos. M20 / 1/2" NPT / 3/4" ET SIZE CABLE ENTRIES FROM SIDE (REFER DRAWING)
- 4 - SWITCH - 1 No. 6 Amp. SP/DP (ON-OFF) SELECTOR SWITCH OF 'RECOM/KANJEE/SULZER' MAKE



2 Nos. ϕ 8mm FREE HOLES FOR MOUNTING (P.C.D. - 135mm)



Light Fitting Options :

- 1) MATERIAL CONSTRUCTION : STAINLESS STEEL
- 2) VOLTAGE : 220V DC/110V AC/110V DC/24V AC
- 3) GLASS TYPE : FLAT
- 4) TIMER : ELECTRONIC / MECHANICAL OPERATED TYPE
- 5) LED MAKE : CITIZEN/OSRAM/BRIDGELUX/EQUIVALENT
- 6) DRIVER MAKE : OSRAM/PHILIPS/FULHAM/EQUIVALENT
- 7) CABLE GLAND & PLUG : BRASS/S.S./ALUMINIUM

Light Fitting Standard Specification :

- a) WATTAGE : 15 WATTS
- b) VOLTAGE : 140V-270V AC
- c) POWER FACTOR : ≥ 0.95
- d) INPUT FREQUENCY : 50 Hz
- e) EFFICACY : ≥ 100 LUMEN PER WATT
- f) COLOUR (CCT) : 3000K/5700K/6500K/OR AS SPECIFIED
- g) CRI : ≥ 80 RA
- h) TOTAL HARMONIC DISTORTION : $\leq 10\%$ THD
- i) SURGE PROTECTION : 10 KV SPD
- j) SURFACE TEMPERATURE : MAX. 70°

Reference IS/IEC Standard as follows :

- 1 - FLAMEPROOF (Ex d) PROTECTION - IIA/IIb & IIC, IS/IEC 60079-1 (2014)
- TEMPERATURE CLASS - T6
- 2 - INGRESS (IP) PROTECTION - IP-66, IS/IEC 60529 (2001). (Reaffirmed 2014)

Standard Specification :

- 1 - MATERIAL - CAST ALUMINIUM ALLOY
- 2 - FINISH - INSIDE & OUTSIDE LIGHT GREY EPOXY POWDER COATING SHADE No. 631 AS PER IS-5
- 3 - EARTHING - 1 No. INSIDE & 2 Nos. OUTSIDE M6 SIZE S.S./BRASS SCREWS WITH 2 Nos. PLAIN WASHER
- 4 - HARDWARE - STAINLESS STEEL
- 5 - GASKET - 'O' RING ENDLESS NEOPRENE RUBBER GASKET
- 6 - MOUNTING ARRGT. - AS SHOWN IN DRG.

Material / Components Specification :

- 1 - S.S. NAME CUM WARNING PLATE (WITH DESCRIPTION TITLE, CIMFR, PESO, SR. NO., GAS GROUP, RATING, BIS MARKING, WARNING STATUS, etc...)
- 2 - GLASS - HEAT RESISTANCE CLEAR TOUCHENED GLASS 'TYPE-A' OF 'SUDHIR' BRAND
- 3 - CABLE ENTRIES - 2 Nos. M20 / 1/2" NPT / 3/4" ET SIZE CABLE ENTRIES FROM SIDE (REFER DRAWING)

NOTE :
 COMPONENT LAYOUT IS TENTATIVE RELOCATION OF PARTS & COMPONENTS IS POSSIBLE AT THE TIME OF ACTUAL MANUFACTURING.
 OVERALL DIMENSIONS ARE ± 10 mm

REV.	DATE	DESCRIPTION	DRN.	CHKD.	APPR.	SCALE

CAT. No.	RVL/2C/181
MODEL No.	RVL/181/15-A
DRN.	profill
CHKD.	JASKHAK
APPR.	
SHEET	1 OF 1
N. T. S.	REV.-0

130, MULBARI SAMACHAR MARG, MULBARI - 400 023	
TITLE :	FLAMEPROOF-WEATHERPROOF ENCLOSURE SUITABLE FOR REACTOR VESSEL LAMP WITH TIMER
CHKD. CERT. No.	
IN/CIMFR/TR21/P/H176	
Di. 11/08/2021	
PESO No. :	
BIS LICENCE No. :	CM/L-0002914461